

Installation Instructions

Important: This fixture is designed for use with low voltage landscape power systems and a T3 bi-pin lamp (maximum 20 watts).

WARNINGS:

This fixture must be installed in accordance with the National Electric Code and local code specifications. Failure to follow these codes and installation instructions will void the warranty and may result in serious injury and/or damage to the fixture. When using multiple fixtures, do not exceed total wattage load as specified by the transformer rating. This product is designed for above ground installation only. Keep these installation instructions for future use.

IMPORTANT SAFETY WARNINGS:

This fixture and its lamp may become very hot, very quickly. Turn the fixture off and give it sufficient time to cool before handling the fixture or the lamp. Do not touch a hot lamp, lens, or surrounding housing until it has cooled. Maintain a safe distance between the lamp and combustible items. Oil from the skin may damage/reduce the lamp's effectiveness. Do not handle the lamp with bare hands - always use a cloth when handling the lamp. Install the fixtures no less than ten feet (3.05m) from pools, spas, or fountains to minimize risk of electric shock. Always use UL listed wire and wire connectors for connections.

LAMP INSTALLATION/REPLACEMENT INSTRUCTIONS

- 1) Prior to installing or servicing this product, disconnect the transformer from the main power supply.
- 2) Loosen the two set screws on the sides of the fixture and remove the cover from the backplate.
- 3) Insert a T3 bi-pin lamp (maximum 20 watts) into the lamp socket.
- 4) Replace the cover and tighten the two set screws on the sides of the fixture.

IF THE FIXTURE IS NOT YET INSTALLED, PROCEED WITH THE FIXTURE MOUNTING INSTRUCTIONS BELOW.

Reminder: To prevent damage to the lamp, do not handle the lamp with bare hands. Do not operate the fixture with the lamp exposed.

FIXTURE MOUNTING INSTRUCTIONS

- 1) Prior to installing or servicing this product, disconnect the transformer from the main power supply.
- 2) Loosen the two set screws on the sides of the fixture and remove the cover from the backplate.

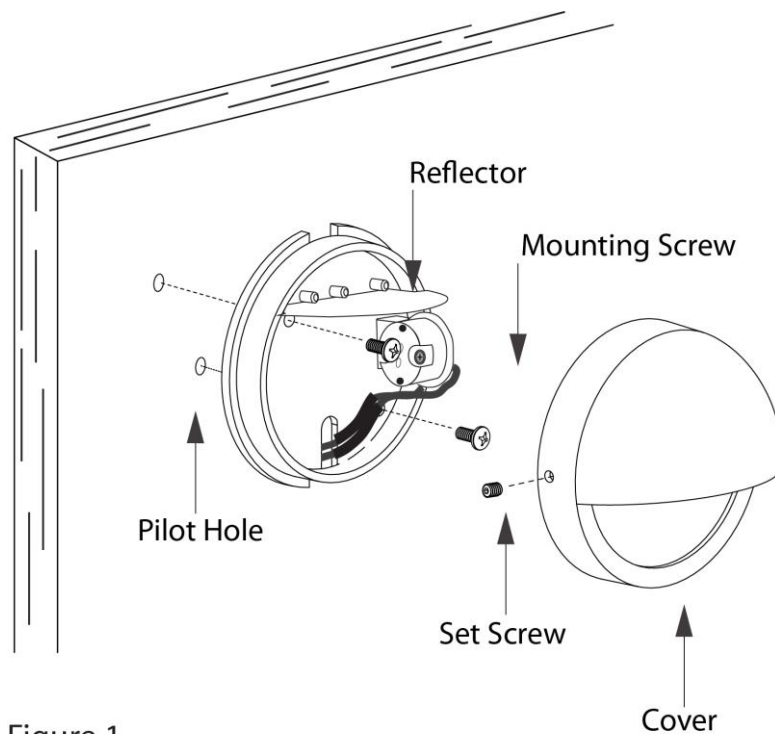


Figure 1

- 3) Place the backplate on the desired mounting location and mark hole locations for the fixture mounting screws.
- 4) Drill pilot holes in the two positions for #8 wood screws.
- 5) Remove the reflector from the backplate.
- 6) Guide the fixture wire through to the primary power supply.
- 7) Place the backplate on the mounting location and secure with two #8 wood screws (included) in the pilot holes.
- 8) Reinsert the reflector on the backplate.
- 9) Replace the cover and tighten the two set screws on the sides of the fixture.
- 10) Strip the two fixture pigtail wires. Attach the two fixture leads to the two main supply cable leads using the two provided King DryConn waterproof connectors.
- 11) Reconnect the transformer to the main power supply. Turn on the power to the fixture and verify proper position and operation.

LED INSTALLATIONS

Halco JC Series ProLED lamps have an operating voltage range of 10-18 volts AC. Operating JC Series ProLED lamps with voltage greater than 18V may damage the internal components of the LED and voids the manufacturer warranty. ProLED lamps maintain light output, full color, and instant start capabilities to temperatures down to -20 degrees Celsius. JC Series ProLED lamps will operate at the desired light output with voltage as low as 10V and as high as 18V, providing balanced light output from the fixture located closest to the transformer to the fixture located furthest from the transformer.