

Installation Instructions

Important: This fixture is designed for use with low voltage landscape power systems and a T3.25 or T5 wedge base lamp (maximum 13 watts per lamp).

WARNINGS:

This fixture must be installed in accordance with the National Electric Code and local code specifications. Failure to follow these codes and installation instructions will void the warranty and may result in serious injury and/or damage to the fixture. When using multiple fixtures, do not exceed total wattage load as specified by the transformer rating. This product is designed for above ground installation only. Keep these installation instructions for future use.

IMPORTANT SAFETY WARNINGS:

This fixture and its lamp may become very hot, very quickly. Turn the fixture off and give it sufficient time to cool before handling the fixture or the lamp. Do not touch a hot lamp, lens, or surrounding housing until it has cooled. Maintain a safe distance between the lamp and combustible items. Oil from the skin may damage/reduce the lamp's effectiveness. Install the fixtures no less than ten feet (3.05m) from pools, spas, or fountains to minimize risk of electric shock. Always use UL listed wire and wire connectors for connections.

LAMP INSTALLATION/REPLACEMENT INSTRUCTIONS

- 1) Prior to installing or servicing this product, disconnect the transformer from the main power supply.
- 2) Loosen (but do not remove) the two cover screws. Remove the cover from the fixture.
- 3) Insert a T3.25 or T5 wedge base lamp (maximum 13 watts per lamp) into the lamp socket(s).
- 4) Replace the cover plate and tighten the two cover plate screws.

IF THE FIXTURE IS NOT YET INSTALLED, PROCEED WITH THE FIXTURE MOUNTING INSTRUCTIONS BELOW.

Reminder: To prevent damage to the lamp, do not handle the lamp with bare hands. Do not operate the fixture with the lamp exposed.

FIXTURE MOUNTING INSTRUCTIONS – BRICK STEP

- 1) Prior to installing or servicing this product, disconnect the transformer from the main power supply.
- 2) Attach the stainless steel mounting plate (MP06 or MP12) to the top of the fixture using the two flat-head machine screws (included).

Figure 1.

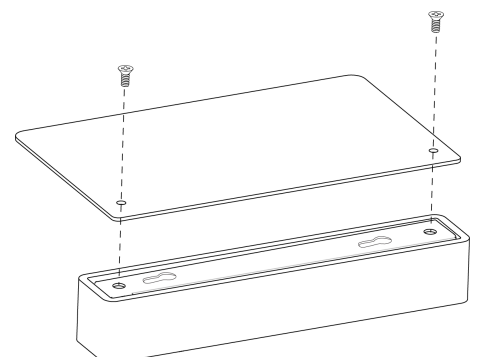


Figure 1

- 3) Place the stainless steel mounting plate between hardscape layers. Figure 2.
- 4) Guide the fixture wire through the masonry to the main power supply cable.
- 5) Strip the two fixture pigtail wires. Attach the two fixture leads to the two main supply cable leads using the two provided King DryConn waterproof connectors.
- 6) Reconnect the transformer to the main power supply. Turn on the power to the fixture and verify proper position and operation.

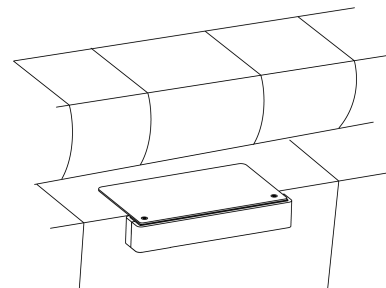


Figure 2

FIXTURE MOUNTING INSTRUCTIONS – RAIL AND DECK

- 1) Prior to installing or servicing this product, disconnect the transformer from the main power supply.
- 2) Loosen (but do not remove) the two cover plate screws. Remove the cover plate from the fixture.
- 3) Mark two positions for pilot holes where the fixture will be mounted. For DUS060 (6" fixture), mark two positions that are $3^{9/16}$ " apart. For DUS120 (12" fixture), mark two positions that are $7^{1/2}$ " apart.
- 4) Drill pilot holes in the two positions for #8 wood screws (included).
- 5) Insert the two #8 wood screws in the pilot holes. Leave a slight gap (approximately $1/4$ ") between the screw heads and the wood-mounting surface.
- 6) Mount the fixture into position by placing the screw heads in the fixture keyholes and sliding the fixture sideways over the threads of the screws.
- 7) Secure the fixture to the mounting surface by tightening both wood screws.
- 8) Replace the cover plate and tighten the two cover plate screws.
- 9) Guide the fixture wire through to the primary power supply.
- 10) Strip the two fixture pigtail wires. Attach the two fixture leads to the two main supply cable leads using the two provided King DryConn waterproof connectors.
- 11) Reconnect the transformer to the main power supply. Turn on the power to the fixture and verify proper position and operation.

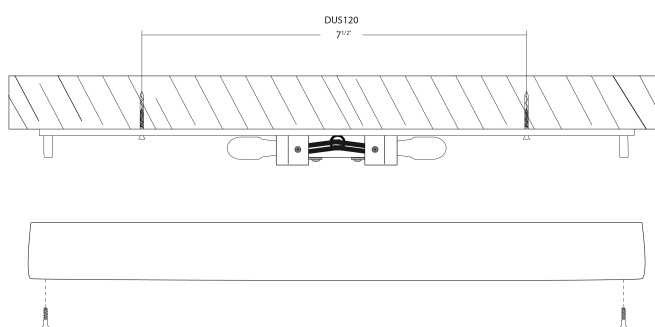


Figure 4

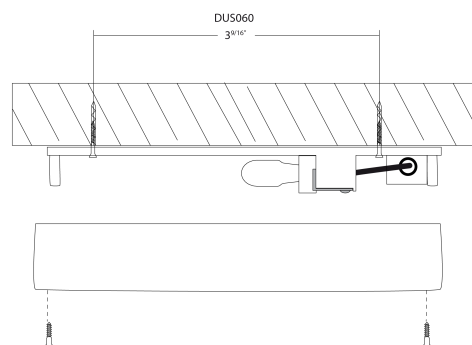


Figure 3