

### **Installation Instructions**

**IMPORTANT: This fixture is designed for use with low voltage landscape power systems and PAR36 lamps (maximum 50 watts).**

#### **WARNING:**

This fixture must be installed in accordance with the National Electric Code and local code specifications. Failure to follow these codes and installation instructions will void the warranty and may result in serious injury and/or damage the fixture. When using multiple fixtures, do not exceed the total wattage load as specified by the transformer rating. This product is designed for in-ground use only. Keep these installation instructions for future use.

#### **IMPORTANT SAFETY WARNINGS:**

This fixture and its lamp may become very hot, very quickly. Turn the fixture off and give it sufficient time to cool before handling the fixture or the lamp. Do not touch a hot lamp, lens, or surrounding housing until it has cooled. Maintain a safe distance between the lamp and debris such as mulch, pine straw, leaves, and wood chips. Contact between the lamp and debris could potentially cause a fire so it is important to regularly clear debris from the lamp and the top of the fixture. Install the fixtures no less than ten feet (3.05m) from pools, spas, or fountains to minimize risk of electric shock. Always use UL listed wire and wire connectors for connections.

#### **LAMP REPLACEMENT INSTRUCTIONS**

- 1) Prior to installing or servicing this product, disconnect the transformer from the main power supply.
- 2) Disconnect the fixture lead wires from the terminals of the lamp that is being replaced.
- 3) Remove the support bracket and lamp from the fixture.
- 4) Rotate the lamp retaining ring and remove the existing lamp from the support bracket.
- 5) Place the new lamp on the bracket. See Figure 1.
- 6) Insert the lamp retaining ring and rotate it until the ring rests between the two bracket screws and the firmly secured lamp.
- 7) Reinsert the support bracket and lamp in the fixture.
- 8) Rotate the support bracket so the lamp terminals are exposed. Connect the fixture lead wires to the lamp terminals.
- 9) Rotate the support bracket to return the lamp to its desired aiming position.
- 10) Reconnect the transformer to the main power supply. Turn on the power to the fixture and verify proper position and operation.

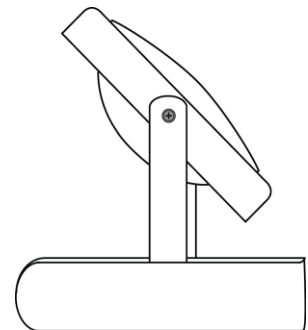


Figure 1

**IF THE FIXTURE IS NOT YET INSTALLED, PROCEED WITH FIXTURE MOUNTING INSTRUCTIONS BELOW.**

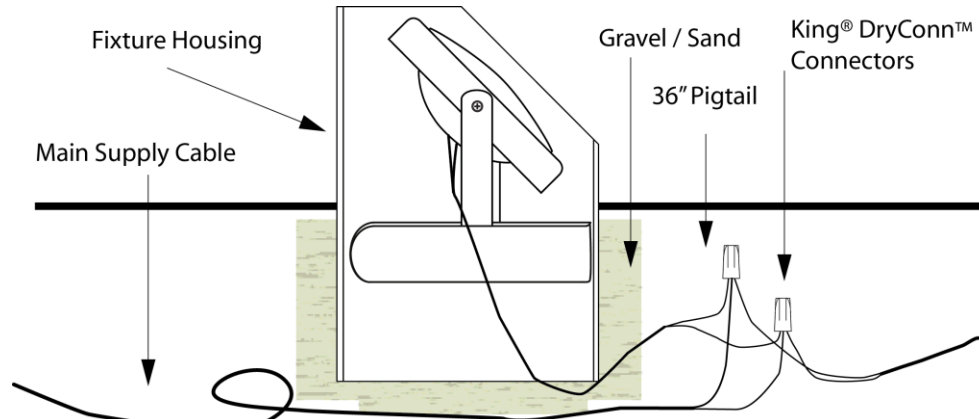


Figure 2

### **FIXTURE INSTALLATION INSTRUCTIONS**

- 1) Prior to installing or servicing this product, disconnect the transformer from the main power supply.
- 2) Dig a hole one foot in diameter and one foot deep. This additional space allows the fixture to be surrounded by 3 inches of gravel or sand, which significantly improves drainage.
- 3) Backfill the hole with approximately three inches of gravel or sand before inserting the fixture.
- 4) Remove the support bracket from the fixture and place the lamp on the bracket. See Figure 1.
- 5) Insert the lamp retaining ring and rotate it until the ring rests between the two bracket screws and the firmly secured lamp.
- 6) Reinsert the support bracket and lamp in the fixture.
- 7) Rotate the support bracket so the lamp terminals are exposed. Connect the fixture lead wires to the lamp terminals.
- 8) Rotate the support bracket so the lead wires exit the bottom of the fixture.
- 9) Attach the two fixture leads to the two main supply cable leads using the two provided King® DryConn™ waterproof connectors. Leave one foot of wire inside the fixture to ease future lamp adjustments and replacements.
- 10) Place the fixture in the hole and position it so that it is sufficiently above ground for proper lamp aiming.
- 11) Backfill the remainder of the hole with gravel or sand.
- 12) Reconnect the transformer to the main power supply. Turn on the power to the fixture and verify proper position and operation.

#### **Notes:**

**Avoid placing the fixtures in low-lying areas that experience water accumulation. Do not substitute tree bark, pine straw, mulch, etc. for the gravel/sand that surrounds the fixture. Insulation materials such as these can cause the fixture to overheat and will void the manufacturer warranty.**

### **LED INSTALLATIONS**

Halco PAR36 ProLED lamps have an operating voltage range of 10-15 volts AC. Operating PAR36 ProLED lamps with voltage greater than 15V may damage the internal components of the LED and voids the manufacturer warranty. ProLED lamps maintain light output, full color, and instant start capabilities to temperatures down to -20 degrees Celsius. PAR36 ProLED lamps will operate at the desired light output with voltage as low as 10V and as high as 15V, providing balanced light output from the fixture located closest to the transformer to the fixture located furthest from the transformer.